

See Other Side For Quick Setup Guide



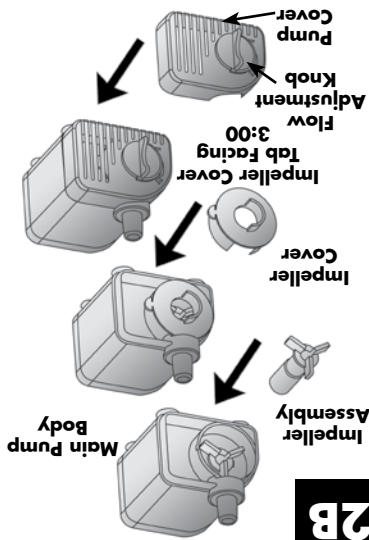
Remove Tab on Cartridge

5B

How To Diagrams

<p>5A. Every two to four weeks, remove the old Cartridge from the Cartridge Carrier. After removing the new Cartridge from the packaging, rinse with clean water before sliding into the Cartridge Carrier with the blue flaps facing forward.</p> <p>5B. Note: some models of the Rite-Size Z Cartridge have a plastic tab on the side that should be snapped off to enable it to fit in the carrier.</p>	<p>Change your cartridge</p>
<p>4. Feed your fish two to three times daily, being careful not to overfeed. Only put as much food into the tank as your fish can consume in several minutes. To reduce the amount of food that is caught in the filter, you may want to unplug the filter before you begin feeding.</p>	<p>Feed your fish</p>
<p>3. Once a month (or as often as needed depending on the bio-load), remove 50% of the water using a gravel cleaner. It's usually easiest to remove décor before you begin. Add room temperature water treated with Marineland® Aquarium Conditioner to remove chlorine.</p>	<p>Perform a water change</p>
<p>2A. To disassemble the Filter Pump, remove the Pump Cover, and then the Impeller Cover by gripping and pulling off. Remove the Impeller Assembly by pulling it out of the Main Pump Body (note: magnets hold the impeller in place).</p> <p>2B. To assemble the pump, install the Impeller Assembly by inserting it into the Main Pump Body. Install Impeller Cover with tab pointed at 3:00 (see diagram). Install Pump Cover by snapping into Main Pump Body.</p>	<p>Access the impeller</p>
<p>1A. To access the Filter Pump, first unplug it from the wall outlet. Remove the Filter Cover, grasp the Elbow that connects to the Flow Nozzle, and pull the Elbow off of the Flow Nozzle. This will allow you to pull the Pump out of the Filter Box.</p> <p>1B. Turn the Flow Adjustment Knob counterclockwise to decrease flow or clockwise to increase flow.</p>	<p>Adjust the flow of the pump</p>

How To



2B

**IMPORTANT:** Always unplug your Aquarium Kit when inspecting or disassembling for any reason.

<p>• This is not a problem. It indicates the growth of beneficial biological bacteria which remove toxic ammonia and nitrite from aquarium water. As long as the Biofoam is not damaged, it does not need to be replaced.</p>	<p>If the Biofoam becomes discolored or dirty... •</p>
<p>• Wipe the cover of the LED Light and the Glass Canopy with a clean wet cloth, and make sure the DC Jack is properly attached to the Light Transformer.</p>	<p>If the LED Light seems dim... •</p>
<p>• Change the Cartridge and ensure the water level is between the Min/Max Fill Lines labeled on the Back Panel.</p>	<p>If water is flowing over the Back Panel... •</p>
<p>• Adjust the flow of the Filter Pump (see the "How To" section for instructions).</p>	<p>If the water flow is too strong... •</p>
<p>• Make sure the water level is between the Min/Max Fill Lines. This will ensure the surface of the water is skimmed.</p>	<p>If there are excessive bubbles or scum on the surface of the water... •</p>
<p>• Lift the Cartridge out of the Cartridge Carrier to see if water level is restored. If so, your Cartridge is clogged and must be replaced.</p>	<p>If the water level in the filter box is low... •</p>
<p>• Check the Impeller Assembly for debris. If so, your Cartridge is clogged and must be replaced.</p>	<p>If your filter makes excessive mechanical noise... •</p>
<p>• The Filter Pump may be running dry. Make sure the water level is between the Min/Max Fill Lines engraved on the back wall of the tank. Lift the Cartridge out of the Cartridge Carrier to see if water flow is restored. If so, your Cartridge is clogged and must be replaced.</p>	<p>If your filter fails to pump water or flow has slowed... •</p>
<p>• Check the Impeller Assembly to ensure it is working properly. Make sure the adjustable Filter Pump is set to the desired flow. Make certain the Power Cord is functioning properly. Unplug the electrical cord momentarily, then reconnect it to the power source to restart the Impeller.</p>	<p>If your filter fails to pump water or flow has slowed... •</p>
<p>• Lift the Cartridge out of the Cartridge Carrier to see if water flow is restored. If so, your Cartridge is clogged and must be replaced. Make sure the water level is between the Min/Max Fill Lines.</p>	<p>If your filter fails to pump water or flow has slowed... •</p>
<p>COMMENTS/SOLUTIONS</p>	<p>SYMPTOM</p>

Troubleshooting Guidelines

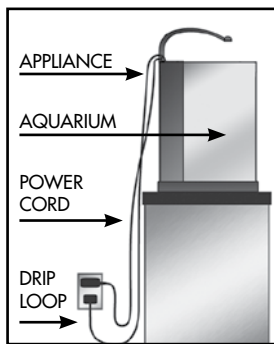
# IMPORTANT SAFEGUARDS

**WARNING:** To guard against injury, basic safety precautions should be observed, including the following:

## READ AND FOLLOW ALL SAFETY INSTRUCTIONS

**DANGER:** To avoid possible electric shock, special care should be taken in the use of aquarium equipment. For each of the following situations, do not attempt repairs yourself. Return the appliance to an authorized service facility for service or discard the appliance.

1. A. If the appliance falls into the water, DON'T reach for it. First unplug it and then retrieve it. If electrical components of the appliance get wet, unplug it immediately.
  - B. If the appliance shows any sign of abnormal water leakage, immediately unplug from the power source.
  - C. Carefully examine the appliance after installation. It should not be plugged in if there is water on parts not intended to be wet.
  - D. Do not operate any appliance if it has a damaged cord or plug, or if it is malfunctioning or if it is dropped or damaged in any manner.
  - E. To avoid the possibility of the appliance plug or receptacle getting wet, position aquarium stand and tank to one side of a wall mounted receptacle to prevent water from dripping onto the receptacle or plug. A "drip loop", shown in the figure at right, should be arranged by the user for each cord connecting an aquarium appliance to a receptacle. The "drip loop" is that part of the cord below the level of the receptacle or the connector, if an extension cord is used, to prevent water from traveling along the cord and coming in contact with the receptacle. If the plug or receptacle does get wet, DON'T unplug the cord. Disconnect the fuse or circuit breaker that supplies power to the appliance. Then unplug and examine for presence of water in the receptacle.
2. Close supervision is necessary when any appliance is used by or near children.
3. To avoid injury, do not contact moving parts or hot parts such as heaters, reflectors, lamp bulbs, etc.
4. Always unplug an appliance from an outlet when not in use, before putting on or taking off parts, and before cleaning. Never yank cord to pull plug from outlet. Grasp the plug and pull to disconnect.
5. Do not use an appliance for other than intended use. The use of attachments not recommended or sold by the appliance manufacturer may cause an unsafe condition.
6. Do not install or store the appliance where it will be exposed to the weather or to temperatures below freezing.
7. Make sure an appliance mounted on a tank is securely installed before operating it.
8. Read and observe all the important notices on the appliance.
9. If an extension cord is necessary, a cord with a proper rating should be used. A cord rated for less amperes or watts than the appliance rating may overheat. Care should be taken to arrange the cord so that it will not be tripped over or pulled.
10. This appliance has a polarized plug (one blade is wider than the other). As a safety feature, this plug will fit in a polarized outlet only one way. If the plug does not fit fully in the outlet, reverse the plug. If it still does not fit, contact a qualified electrician. Never use with an extension cord unless plug can be fully inserted. Do not attempt to defeat this safety feature.



MODELS: 3 and 5 gallon

# Contour Aquarium Kits

With Hidden Filtration



## For Optimum Performance



Replace Filter Cartridge Every 2-4 Weeks



Perform Monthly Water Changes

Test Water Weekly to Monitor Water Chemistry

PLEASE READ THESE INSTRUCTIONS BEFORE UNPACKING BOX

# SAVE THESE INSTRUCTIONS



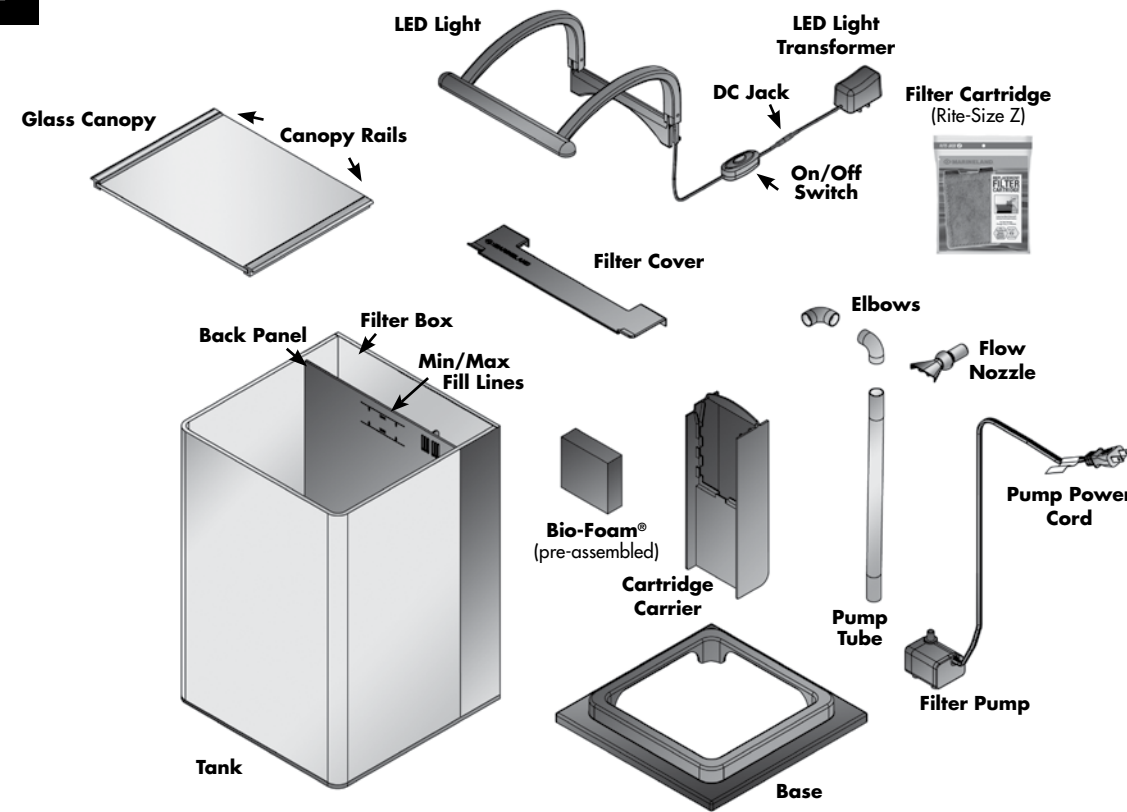
# Start Here - Contour Aquarium Kit

# Quick Setup Guide

## 1 Unpack the Aquarium

- A. Remove the Glass Canopy from the top of the Styrofoam, then lift the Styrofoam out of the box.
- B. Lift the glass Tank out of the box.
- C. Remove the LED Light and cardboard tray from the bottom of the Tank.
- D. Remove the Pump Power Cord from the Filter Box in the back of the Tank, but do not plug the Filter in until step 4G.
- E. Remove Filter Cartridge from the plastic bag and set the Cartridge aside.
- F. Lift the Styrofoam from the bottom of the box to access the Tank Base.

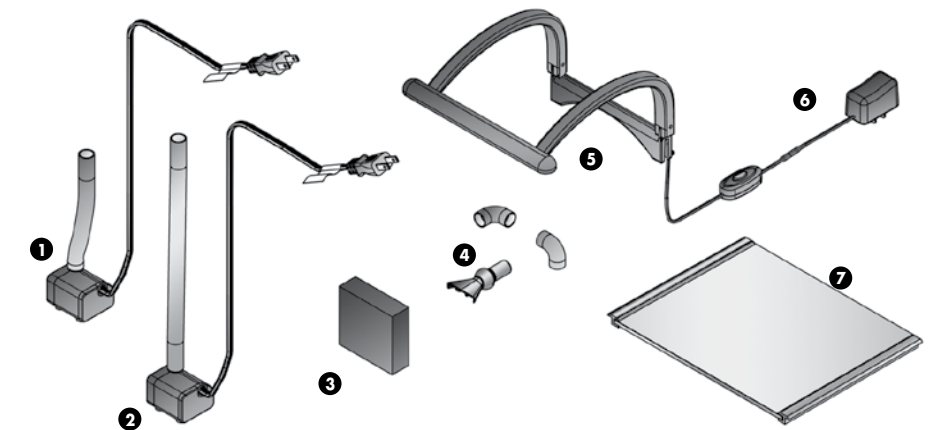
## 2 Parts Check



## 5 Maintenance

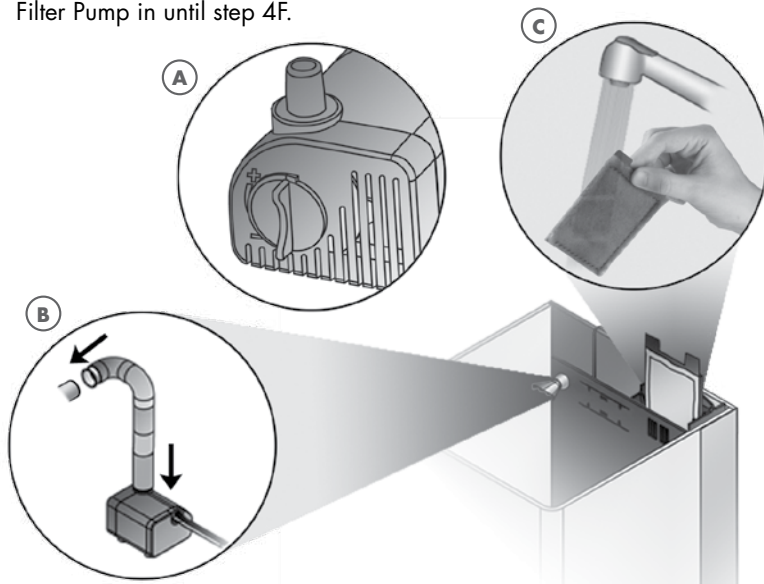
- A. Replace the Filter Cartridge every two to four weeks.
- B. Top off water to maintain water level between Min and Max Lines as needed (always treat water with Marineland® Aquarium Conditioner to remove chlorine).
- C. Perform water changes monthly or as often as needed.
- D. Use Marineland® pH Regulator weekly to maintain optimal aquarium chemistry.

## Replacement Parts Diagram & Identification



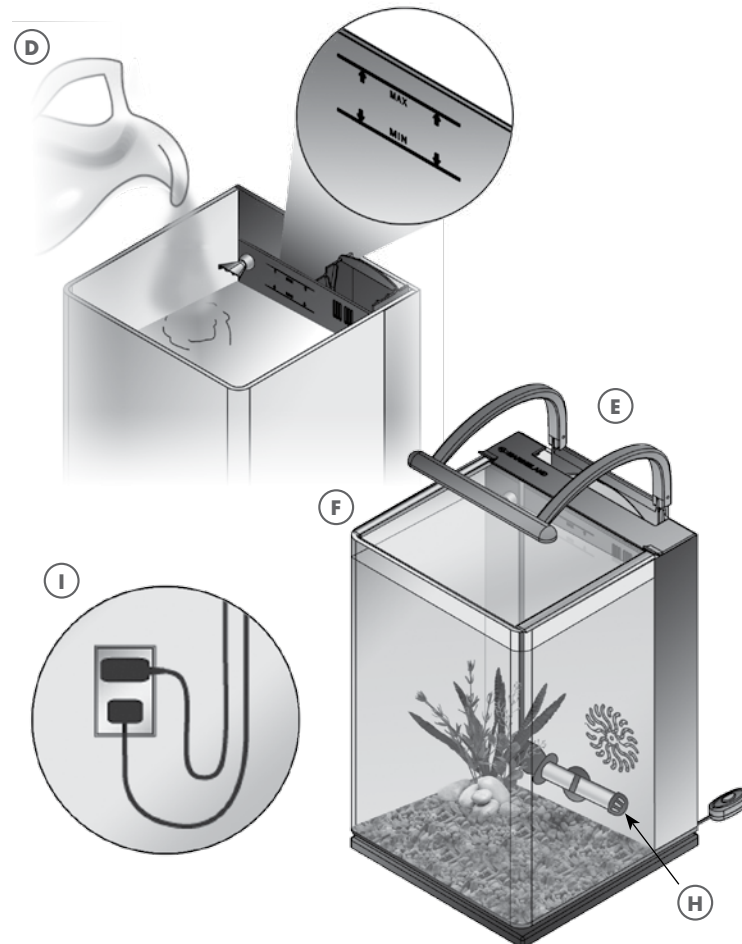
## 3 Filter Setup

- A. Set the Flow Adjustment Knob on the Filter Pump to the max setting. Once your Tank is running, refer to the "How To" section on reverse side to adjust the flow if needed.
- B. Make sure Pump Tube is connected to Filter Pump, Elbows and Flow Nozzle.
- C. Rinse Filter Cartridge thoroughly and install as shown (blue side toward front of aquarium).
- D. Route the power cord over the back of the Tank, but do not plug Filter Pump in until step 4F.



## 4 Tank Setup

- A. First clean the Tank by using clean water and paper towels. Do not use chemicals not intended for aquarium use.
- B. Place the Base on a flat surface in your desired location away from direct sunlight and air vents, then place the Tank on top.
- C. After rinsing your gravel and décor thoroughly, decorate your aquarium before adding water to avoid over-filling.
- D. Locate the Min and Max Fill Lines on the Back Panel of the Tank. Fill the Tank with room temperature tap water treated with Marineland® Aquarium Conditioner to remove chlorine.
- E. Add the LED Light to the back of the Tank as shown.
- F. Place the Glass Canopy on the aquarium. When installed properly, the Glass Canopy slides back under the Filter Cover to provide easy access to the front of the Tank for feeding and maintenance.
- G. Plug Filter Pump and LED Light into outlet.
- H. If adding a heater (not included), do not place it in the filter box since the water level can drop causing the device to over-heat. Place the heater inside the main tank as shown, and always follow the manufacturer's directions for use.
- I. Make drip loops for safety.



## Replacement Parts List

KEY	ITEM DESCRIPTION	MODEL
1	3g Pump, Tube	ML90624
2	5g Pump, Tube	ML90625
3	Bio-Foam®	ML90626
4	Nozzle & Elbows	ML90627
5	LED Light (No Transformer)	ML90629
6	LED Transformer	ML90630
7	Sliding Glass Canopy	ML90632

**LIMITED WARRANTY:** Within two years from the date of original purchase, United Pet Group, Inc. will repair or replace, at its option, any Contour Kit which is deemed defective in workmanship or materials. Please return the unit, together with proof of date of purchase.

**Call (800) 322-1266 for return authorization and shipping address.**

Damage or injuries resulting from negligence or misuse are not covered by this warranty. Incidental or consequential damages are specifically excluded.\* This warranty gives you specific legal rights. You may also have other rights which vary from state to state.

\*Because some states do not allow the exclusion of incidental or consequential damages, this exclusion may not apply to you.



United Pet Group, Inc.  
Cincinnati, OH 45230  
1.800.322.1266  
www.marineland.com  
©2013 United Pet Group, Inc.  
© Registered Trademark of  
United Pet Group, Inc.

### Questions or Missing Parts:

Call Customer Service at  
(800) 322-1266