

*Because some states do not allow the exclusion of incidental or consequential damages, this exclusion may not apply to you.

You may also have other rights which vary from state to state. Damage or injuries resulting from negligence or misuse are not covered by this warranty. Incidental or consequential damages are specifically excluded. This warranty gives you specific legal rights.

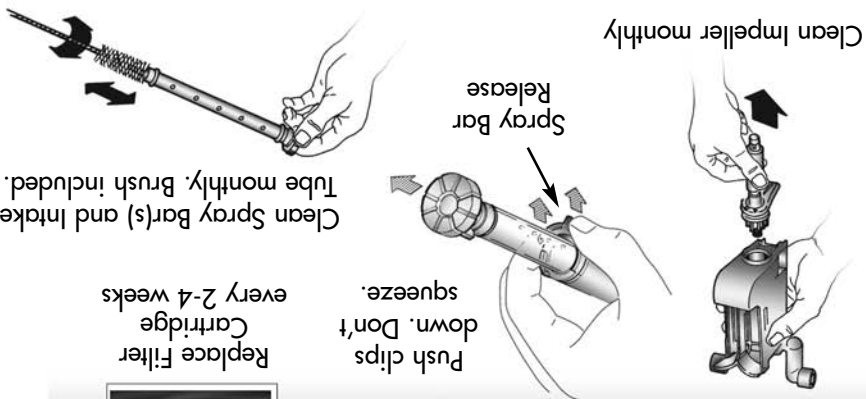
Please return the unit, together with proof of date of purchase. Call (800) 322-1266 for return authorization and shipping address.

Power Filter which is deemed defective in workmanship or materials. Marineland Aquarium Products will repair or replace, at its option, any EMPEROR LIMITED WARRANTY Within five years from the date of original purchase.

SYMPTOM	COMMENTS/SOLUTION
If your filter fails to pump water or flow has slowed...	<ul style="list-style-type: none"> Make certain the outlet has power and is functioning properly. Unplug electrical cord momentarily, then reconnect to power source to restart the impeller. Check to make sure Flow Manifold Housing is firmly seated in Filter Box. Remove Impeller Housing and make sure the Impeller Assembly is free to rotate. Inspect aquarium water level. Maintain at 1/2 inch below top of frame. Clean inside of Intake Tube with Filter Cleaning Brush.
If your filter makes excessive mechanical noise...	<ul style="list-style-type: none"> Make sure that Flow Manifold Housing is firmly seated in Filter Box and that water is at correct level. Remove Flow Manifold Housing and make sure the impeller is free to rotate. A particle of carbon or gravel may be interfering. Replace worn or damaged impeller. (Consult Replacement Parts List for correct part number).
If air does not evacuate from system...	<ul style="list-style-type: none"> Check for crack in Intake Tube and replace if defective. (Consult Replacement Parts List for correct part number).
If your BIO-Wheel splashes and/or makes excessive water noise...	<ul style="list-style-type: none"> Adjust Spray Bar to slow BIO-Wheel rotation. Allow 24-48 hours for "breaking in" period. Material in BIO-Wheel is not fully absorptive when new. Check aquarium water level. Lower than normal levels can result in excessive splash or noise.
If your BIO-Wheel fails to move or stops...	<ul style="list-style-type: none"> Inspect BIO-Wheel bearings and axle for dirt or mineral deposits. You may need to clean these areas carefully. NOTE: Irregular rotation, including brief pauses, is normal. Make sure all parts are installed properly and that nothing is blocking the BIO-Wheel. Examine the Intake Tube for flow interference. Perform regular filter maintenance.
If your BIO-Wheel becomes discolored or dirty...	<ul style="list-style-type: none"> This is not a problem. It indicates the growth of beneficial biological bacteria which remove toxic ammonia and nitrite from aquarium water. Do not attempt to clean BIO-Wheel plates. As long as a BIO-Wheel is not damaged, it does not need to be replaced. If excessive buildup occurs, rinse gently with room temp dechlorinated water.

IMPORTANT: Always unplug power filter before inspecting or disassembling for any reason.

NEVER clean or replace your BIO-Wheel® biological filter. Fiber discoloration is normal and desirable. If excessive buildup occurs, rinse gently with room temp dechlorinated water.



Clean Spray Bars and Intake Tube monthly. Brush included.

For Optimum Power Filter Performance

Replace Filter Cartridge every 2-4 weeks. Push clips down. Don't squeeze.



Emperor Filter Cartridges are available at your local Emperor dealer.



MODELS: 280 & 400

Emperor POWER FILTER

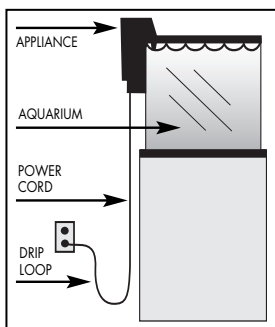
IMPORTANT SAFEGUARDS

WARNING: To guard against injury, basic safety precautions should be observed, including the following.

READ AND FOLLOW ALL SAFETY INSTRUCTIONS

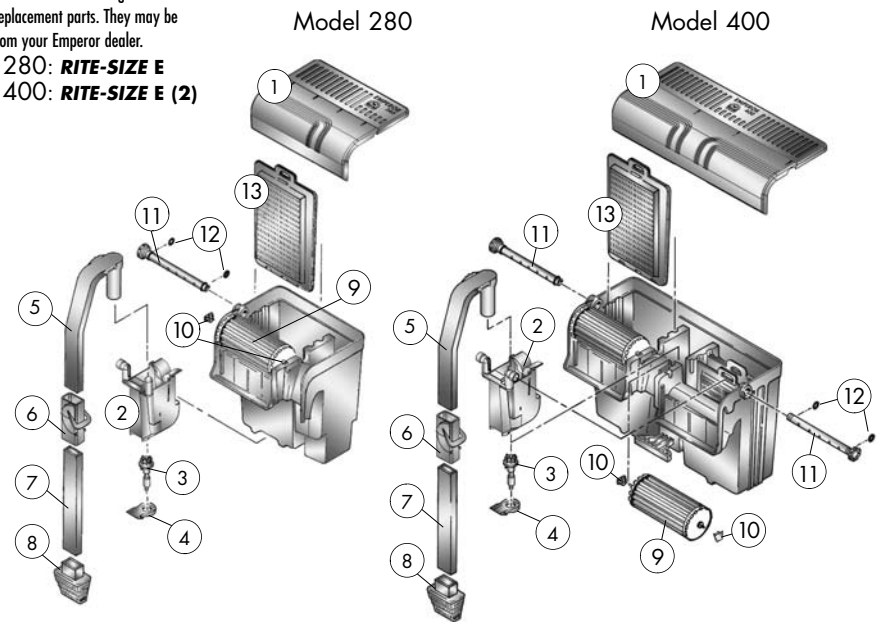
DANGER: To avoid possible electric shock, special care should be taken in the use of aquarium equipment. For each of the following situations, do not attempt repairs yourself. Return the appliance to an authorized service facility for service or discard the appliance.

- If the appliance falls into the water, DON'T reach for it. First unplug it and then retrieve it. If electrical components of the appliance get wet, unplug the appliance immediately.
 - If the appliance shows any sign of abnormal water leakage, immediately unplug from the power source.
 - Carefully examine the appliance after installation. It should not be plugged in if there is water on parts not intended to be wet.
 - Do not operate any appliance if it has a damaged cord or plug, or if it is malfunctioning or if it is dropped or damaged in any manner.
 - To avoid the possibility of the appliance plug or receptacle getting wet, position aquarium stand and tank to one side of a wall mounted receptacle to prevent water from dripping onto the receptacle or plug. A "drip loop," shown in the figure at right, should be arranged by the user for each cord connecting an aquarium appliance to a receptacle. The "drip loop" is that part of the cord below the level of the receptacle or the connector, if an extension cord is used, to prevent water from traveling along the cord and coming in contact with the receptacle. If the plug or receptacle does get wet, DON'T unplug the cord. Disconnect the fuse or circuit breaker that supplies power to the appliance. Then unplug and examine for presence of water in the receptacle.
- Close supervision is necessary when any appliance is used by or near children.
- To avoid injury, do not contact moving parts or hot parts such as heaters, reflectors, lamp bulbs, etc.
- Always unplug an appliance from an outlet when not in use, before putting on or taking off parts, and before cleaning. Never yank cord to pull plug from outlet. Grasp the plug and pull to disconnect.
- Do not use an appliance for other than intended use. The use of attachments not recommended or sold by the appliance manufacturer may cause an unsafe condition.
- Do not install or store the appliance where it will be exposed to the weather or to temperatures below freezing.
- Make sure an appliance mounted on a tank is securely installed before operating it.
- Read and observe all the important notices on the appliance.
- If an extension cord is necessary, a cord with a proper rating should be used. A cord rated for less amperes or watts than the appliance rating may overheat. Care should be taken to arrange the cord so that it will not be tripped over or pulled.
- This appliance has a polarized plug (one blade is wider than the other). As a safety feature, this plug will fit in a polarized outlet only one way. If the plug does not fit fully in the outlet, reverse the plug. If it still does not fit, contact a qualified electrician. Never use with an extension cord unless plug can be fully inserted. Do not attempt to defeat this safety feature.



Parts Diagram & Identification

NOTE: RITE-SIZE Filter Cartridges are not considered replacement parts. They may be purchased from your Emperor dealer.
Model 280: **RITE-SIZE E**
Model 400: **RITE-SIZE E (2)**



Replacement Parts List

KEY	ITEM DESCRIPTION	280	400
1	Two-Way Hinged Cover Assembly	PR11304	PR11305
2	Flow Manifold Housing	PR11388	PR11389
3	Impeller	PR2126	PR2121
4	Flow Manifold Housing Cover	PR2122	PR2122
5	Intake Tube	PR2111	PR2111
6	Mid-Level Intake Strainer	PR11297	PR11297
7	Extension Tube	PR2112	PR2112
8	Strainer	PR2110	PR2110
9	BIO-Wheel	PR2140	PR2140
10	BIO-Wheel Bearings	PR2141	PR2141
11	Spray Bar	PR2130	PR2130
12	Spray Bar O-Rings	PR2045	PR2045
13	Refillable Media Container	PR2150	PR2150
-	Filter Cleaning Brush (Not Pictured)	PA0590	PA0590

Questions or Missing Parts: Call Customer Service at (800) 322-1266

SAVE THESE INSTRUCTIONS

